

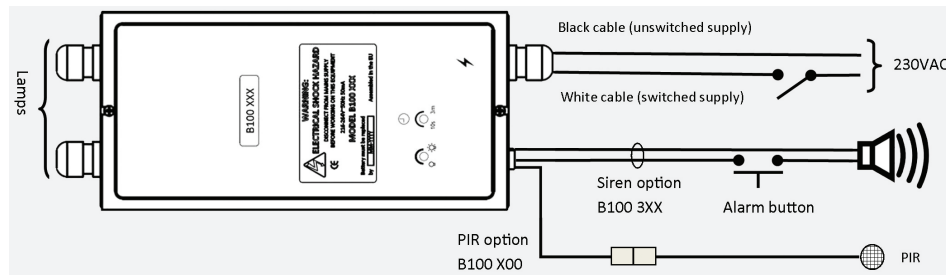
LED Lighting

Installation Guide Ref No. B100 850GB Version 2

LED Lighting Installation Notes

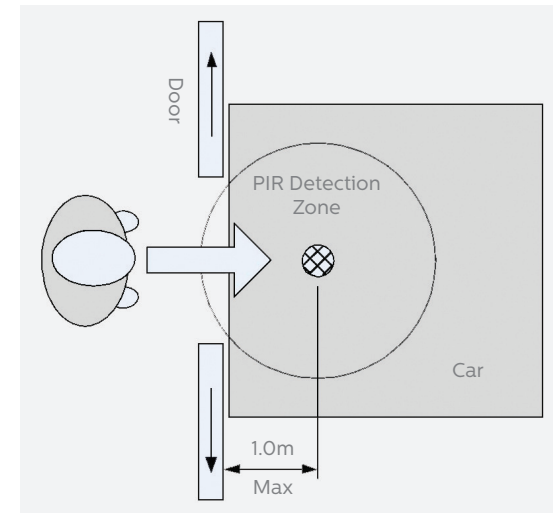
Remove lid and secure the controller using the 2 self-tapping screws provided. Maximum distance of LED lamp installation from the LED Lighting Controller is 1.5m with the standard cables (extension cables are available for the lamps and PIR sensor). The LED lamps require a 72mm (3") hole in the ceiling. Connect LED lamps to the pre-installed cables (Emergency Lamps must be connected).

1. Once installed in ceiling route PIR sensor cable, if applicable, and connect to pre-installed cable.
2. Connect supplied mains cables to a switched (enables all lamps to be powered off for maintenance and battery conservation) and an unswitched power source. Loss of unswitched power automatically turns on the Emergency Lamps.
3. Once power has been switched on check light levels are sufficient and adjust using the dimmer control. Then adjust the optional PIR timer to control the lamp switch on duration



PIR Sensor

The PIR sensor requires a 20mm hole in the ceiling. The maximum detection distance is shown below

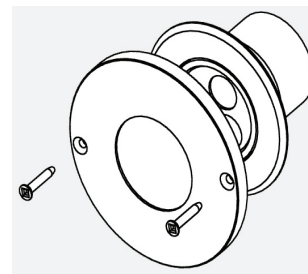
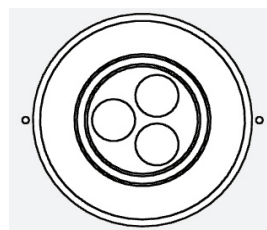


Anti-Vandal plate kit

B100 880-05 (Stainless Steel)

B100 880-03 (White)

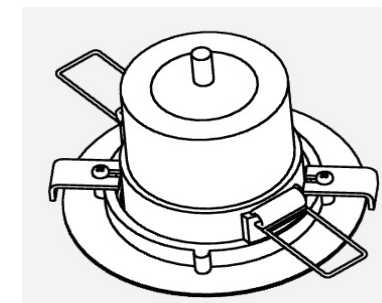
(Supplied with 4mm annealed glass insert)



T15 Tamper Resistant Fasteners

Anti-theft Bracket assembly

(supplied as standard)



AVIRE

Memco is a brand of Avire

Avire Ltd

Unit 1, The Switchback
Gardner Road
Maidenhead, Berkshire SL6 7RJ, UK

T: 01628 540 100 F: 01628 621 947
E: sales.uk@avire-global.com
W: www.memco-global.com, W: www.avire-global.com